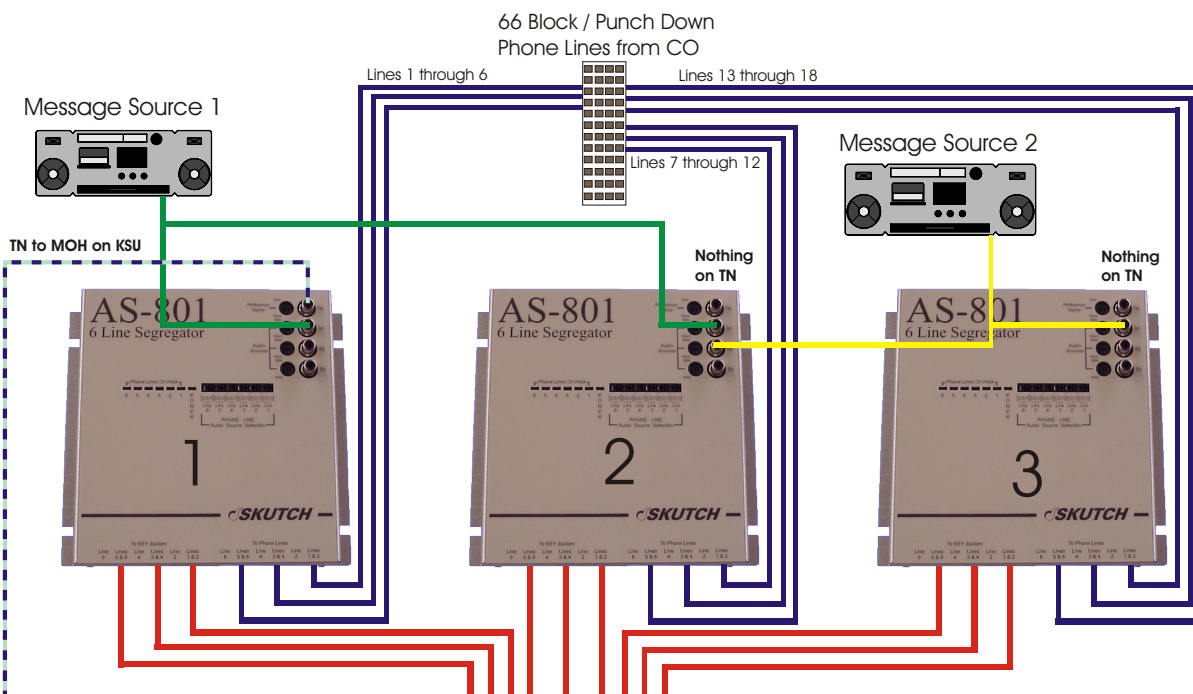


# AS-801 Multi-Unit Install



**NOTE: Only ONE TN connection goes to the KSU, other AS-801's have nothing on TN connection.**

Lines 1 through 10 get Message Source 1 and Lines 11 through 18 get Message Source 2.

AS-801 number 2 should have the jumpers for lines 1 through 4 set to S1 and lines 5 & 6 set to S2.

